

JUMO GmbH & Co. KG
 Delivery address: Mackenrodtstraße 14
 36039 Fulda, Germany
 Postal address: 36035 Fulda, Germany
 Phone: +49 661 6003-0
 Fax: +49 661 6003-607
 E-mail: mail@jumo.net
 Internet: www.jumo.net

JUMO Instrument Co. Ltd.
 JUMO House
 Temple Bank, Riverway
 Harlow, Essex CM20 2DY, UK
 Phone: +44 1279 635533
 Fax: +44 1279 635262
 E-mail: sales@jumo.co.uk
 Internet: www.jumo.co.uk

JUMO Process Control, Inc.
 6733 Myers Road
 East Syracuse, NY 13057, USA
 Phone: 315-437-5866
 1-800-554-5866
 Fax: 315-437-5860
 E-mail: info.us@jumo.net
 Internet: www.jumousa.com



Dial Thermometer Transformer version

Special features

- Temperature indicator with bimetal sensing system
- Stainless steel housing
- Peak-reading pointer
- Class 1.5
- Protection IP 55
- Housing size Ø: 80 mm

Brief description

Dial thermometers for transformers are universal instruments for local temperature measurement.



Type 608005/1080

Technical data

Basic type extension	1080
Housing	Housing and bezel in stainless steel (1.4301)
Protection type	IP 55 to DIN 60529
Window	Plexiglas (PMMA)
Scale	white, black lettering
Accuracy class	Class 1.5 similar to DIN EN 13190
Time constant	ca. 20 s (measured in agitated water with a 10 mm Ø stainless steel probe)
Ambient temperature effect	no effect
Limit temperatures	-30...+80°C (storage and transport -30...+80°C)
Nominal position	any

JUMO GmbH & Co. KG
 Delivery address: Mackenrodtstraße 14
 36039 Fulda, Germany
 Postal address: 36035 Fulda, Germany
 Phone: +49 661 6003-0
 Fax: +49 661 6003-607
 E-mail: mail@jumo.net
 Internet: www.jumo.net

JUMO Instrument Co. Ltd.
 JUMO House
 Temple Bank, Riverway
 Harlow, Essex CM20 2DY, UK
 Phone: +44 1279 635533
 Fax: +44 1279 635262
 E-mail: sales@jumo.co.uk
 Internet: www.jumo.co.uk

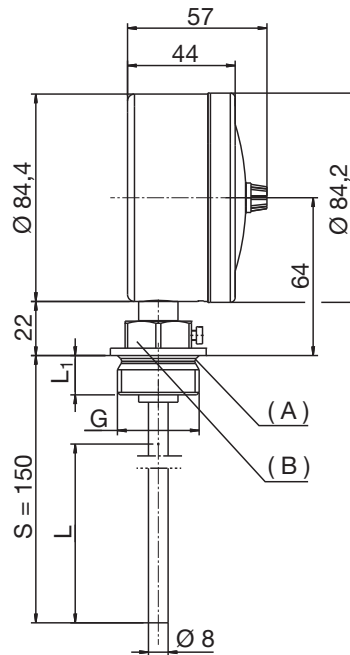
JUMO Process Control, Inc.
 6733 Myers Road
 East Syracuse, NY 13057, USA
 Phone: 315-437-5866
 1-800-554-5866
 Fax: 315-437-5860
 E-mail: info.us@jumo.net
 Internet: www.jumousa.com



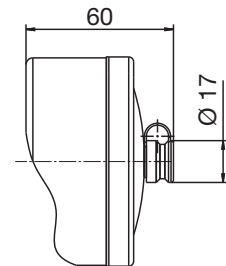
Indication range (AB)	Indication range in °C	Measuring range in °C	Tolerance in °C
643	-20...+120	0...+100	3.0
818	0...+120	+20...+120	3.0

Dimensions

Type:
608005/1080



Extra code 434



G	L1	L (active probe dimension)
G1/2A	14	75
G3/4A	16	
G1A	16	

(A) = Screw-in spigot, DIN 3852, form A
 (B) = SW

Stock items

Part No.	Type	Indication range	Temperature probe, Process connection, Material	Immersion tube Dimension „S“
00483589	608005/1080-643-874-8-106-97-150/430, 522 with peak-reading pointer	-20...+120°C/°F	TF 05, d = 8 mm TA 24, „G 1“ CuZn	Stainless steel 150 mm

Attention: for stock items only - Pack of 3 - Quantity ordered must be a multiple of 3!

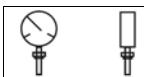

JUMO GmbH & Co. KG
 Delivery address: Mackenrodtstraße 14
 36039 Fulda, Germany
 Postal address: 36035 Fulda, Germany
 Phone: +49 661 6003-0
 Fax: +49 661 6003-607
 E-mail: mail@jumo.net
 Internet: www.jumo.net

JUMO Instrument Co. Ltd.
 JUMO House
 Temple Bank, Riverway
 Harlow, Essex CM20 2DY, UK
 Phone: +44 1279 635533
 Fax: +44 1279 635262
 E-mail: sales@jumo.co.uk
 Internet: www.jumo.co.uk

JUMO Process Control, Inc.
 6733 Myers Road
 East Syracuse, NY 13057, USA
 Phone: 315-437-5866
 1-800-554-5866
 Fax: 315-437-5860
 E-mail: info.us@jumo.net
 Internet: www.jumousa.com



Order details

Order code	(1) Basic type	
	Mechanical dial thermometer, transformer version, Classe 1.5 with peak-reading pointer	
	Style 10 Housing size Ø	
608005/1080	 80 mm	
	(2) Indication range (AB) in °C	
643	-20...+120	
818	0...+120	
	(3) Process connection (PA)	
874	TA 24 Immersion tube with screw connection, O ring seal and clamping screw	
	(4) Ø Process connection (PA)	
8	8 mm	
	(5) Type of thread for process connection (PA)	
104	G 1/2 thread	
105	G 3/4 thread	
106	G 1 thread	
	(6) Material of probe	
97	Stainless steel (1.4571) for temperature probe (TF) / brass for probe mounting (TA)	
	(7) Fitting length of process connection (PA) dimension „S“	
150	150 mm	
...	Special length (details in plain text - 50 mm steps)	
	(8) Extra codes(TZ)	
000	No extra codes	
434	Peak-reading pointer adjustable with screwdriver, protected by cap	
522	Customized scale	

Special versions on request!

Order code	(1)	(2)	(3)	(4)	(5)	(6)	(7)	(8)	
	608005/....	-	...	-	...	-	.	-	...
Order code	608005/1080	-	818	-	874	-	8	-	106
		-	97	-	150	/	000 ^a	,	...

^a List extra codes in sequence, separated by commas.

Caution: for stock items only - **Pack of 3** - Quantity ordered must be a multiple of 3!

Note: For contact dial thermometers for transformers, see data sheet 608540.
 For temperature indicators and contact dial thermometers with capillary, see data sheet 608201 and 608520.